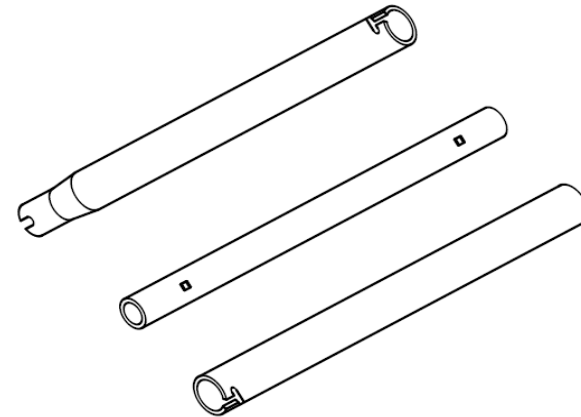


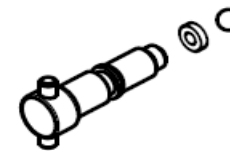
BOTTLE JACK REF.	VALVE REF.	HANDLE REF.
BH4B2	BH4B-VAL01	BH4B-HAN01
BH4B5	BH4B-VAL01	BH4B-HAN02
BH4B8	BH4B-VAL01	BH4B-HAN03
BH4B12	BH4B-VAL02	BH4B-HAN04
BH4B20	BH4B-VAL02	BH4B-HAN05
BH4B30	BH4B-VAL02	BH4B-HAN05
BH4G2	BH4G-VAL01	BH4G-HAN01
BH4G4	BH4G-VAL01	BH4G-HAN01
BH4G6	BH4G-VAL01	BH4G-HAN01
BH4G8	BH4G-VAL01	BH4G-HAN01
BH4G12	BH4G-VAL01	BH4G-HAN02
BH4G20	BH4G-VAL01	BH4G-HAN03
BH4G50	BH4G-VAL01	BH4G-HAN03



BH4G Series
BH4B Series



HANDLE



VALVE

SNA Europe does not cover the causes over negligence in tool use and/or repair, inadequate care, or abnormal usage conditions.
Follow the instructions for proper use, safety, maintenance and servicing given by SNA Europe

